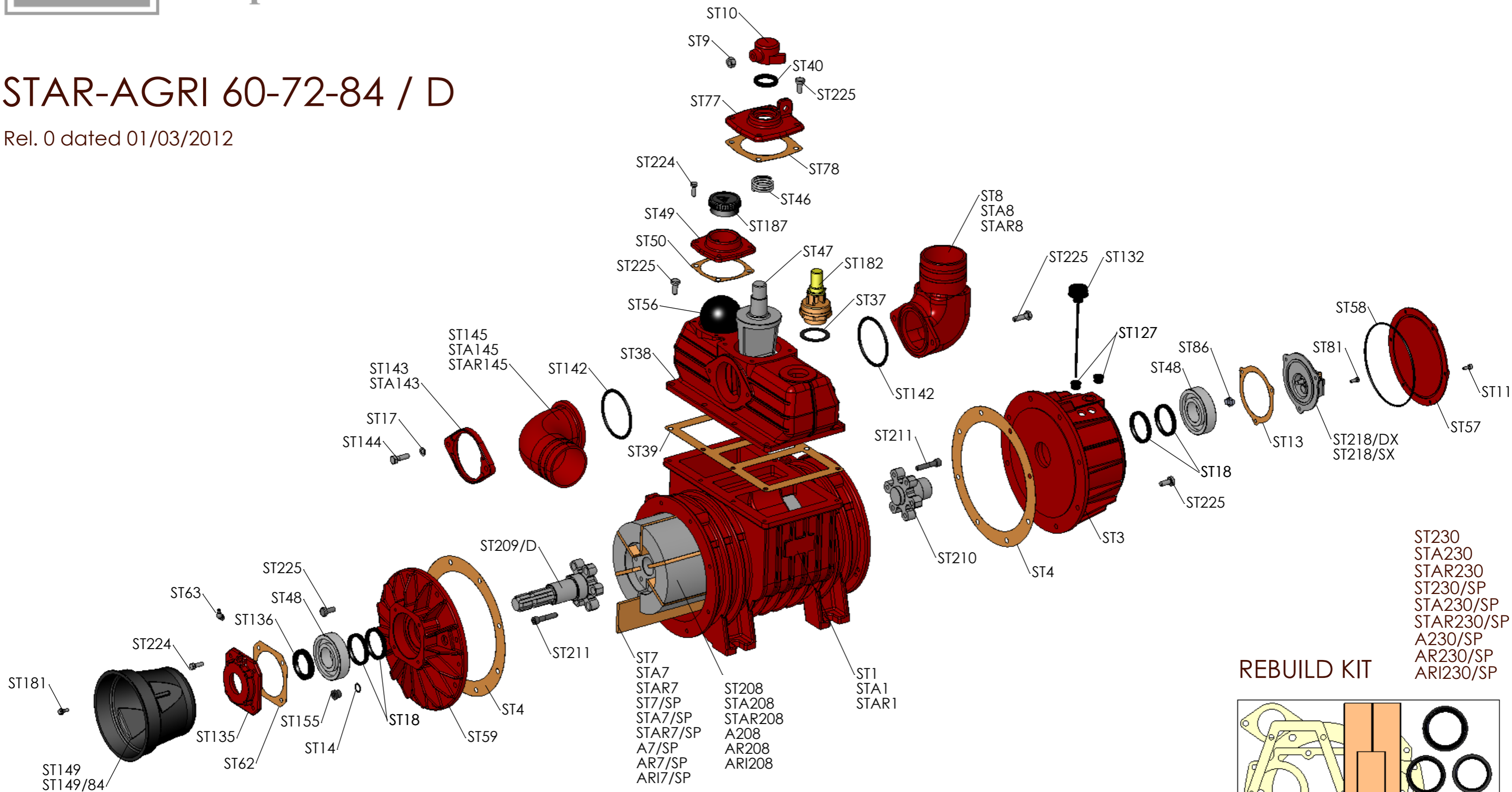




**Battioni®
Pagani
Pompe**

STAR-AGRI 60-72-84 / D

Rel. 0 dated 01/03/2012



REBUILD KIT

